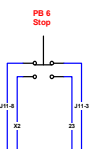


- J1**
- ← J1-1 24v
 - ← J1-2 0v
 - ← J1-3 NPN photo eye to X7
 - ← J1-4 24v
 - ← J1-5 NPN photo eye to X7
 - ← J1-6 24v
 - ← J1-7 NPN photo eye to X7
 - ← J1-8 NPN photo eye to X7
- J4**
- ← J4-1 24v
 - ← J4-2 0v
 - ← J4-3 NPN photo eye to X7
 - ← J4-4 NPN photo eye to X7
 - ← J4-5 NPN photo eye to X7
 - ← J4-6 NPN photo eye to X7
 - ← J4-7 NPN photo eye to X7
 - ← J4-8 NPN photo eye to X7

- New**
- ← J5-1 0VDC
 - ← J5-2 Y3
 - ← J5-3 X8
 - ← J5-4 X2
 - ← J5-5 X3
 - ← J5-6 24VDC
 - ← J5-7 24VDC
 - ← J5-8 24VDC
 - ← J5-9 24VDC
 - ← J5-10 24VDC
 - ← J5-11 24VDC
 - ← J5-12 24VDC
 - ← J5-13 24VDC
 - ← J5-14 24VDC
 - ← J5-15 24VDC
 - ← J5-16 24VDC
 - ← J5-17 24VDC
 - ← J5-18 24VDC
 - ← J5-19 24VDC
 - ← J5-20 24VDC
 - ← J5-21 24VDC
 - ← J5-22 24VDC
 - ← J5-23 24VDC
 - ← J5-24 24VDC
 - ← J5-25 24VDC
 - ← J5-26 24VDC
 - ← J5-27 24VDC
 - ← J5-28 24VDC
 - ← J5-29 24VDC
 - ← J5-30 24VDC
 - ← J5-31 24VDC
 - ← J5-32 24VDC

- J11**
- ← J11-1 0VDC
 - ← J11-2 Y3
 - ← J11-3 X8
 - ← J11-4 X2
 - ← J11-5 X3
 - ← J11-6 24VDC
 - ← J11-7 24VDC
 - ← J11-8 24VDC
 - ← J11-9 24VDC
 - ← J11-10 24VDC
 - ← J11-11 24VDC
 - ← J11-12 24VDC
 - ← J11-13 24VDC
 - ← J11-14 24VDC
 - ← J11-15 24VDC
 - ← J11-16 24VDC
 - ← J11-17 24VDC
 - ← J11-18 24VDC
 - ← J11-19 24VDC
 - ← J11-20 24VDC
 - ← J11-21 24VDC
 - ← J11-22 24VDC
 - ← J11-23 24VDC
 - ← J11-24 24VDC
 - ← J11-25 24VDC
 - ← J11-26 24VDC
 - ← J11-27 24VDC
 - ← J11-28 24VDC
 - ← J11-29 24VDC
 - ← J11-30 24VDC
 - ← J11-31 24VDC
 - ← J11-32 24VDC

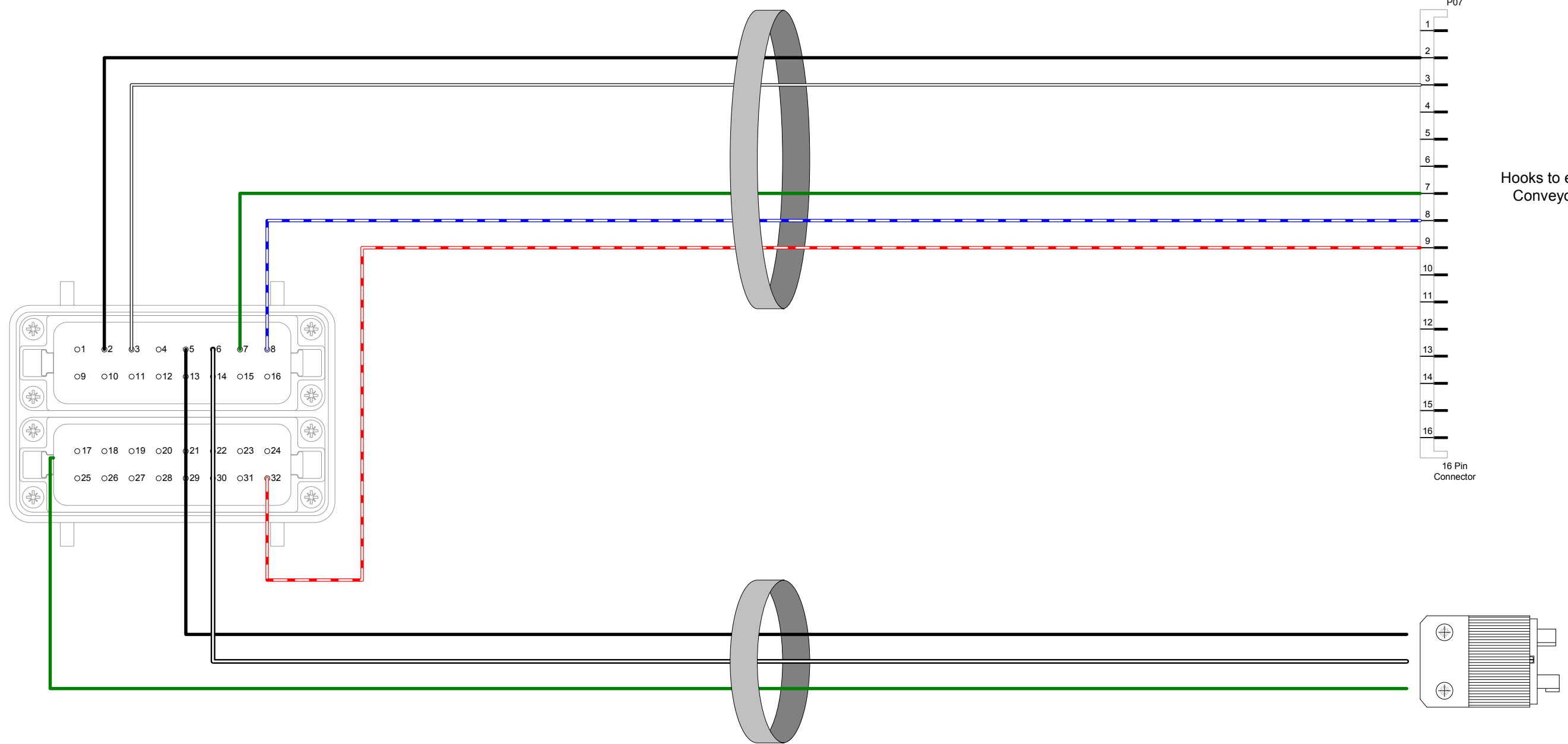
Manual Jumper
 TB1-104 when
 Speed Set
 Converter is being
 used.




PlowFold

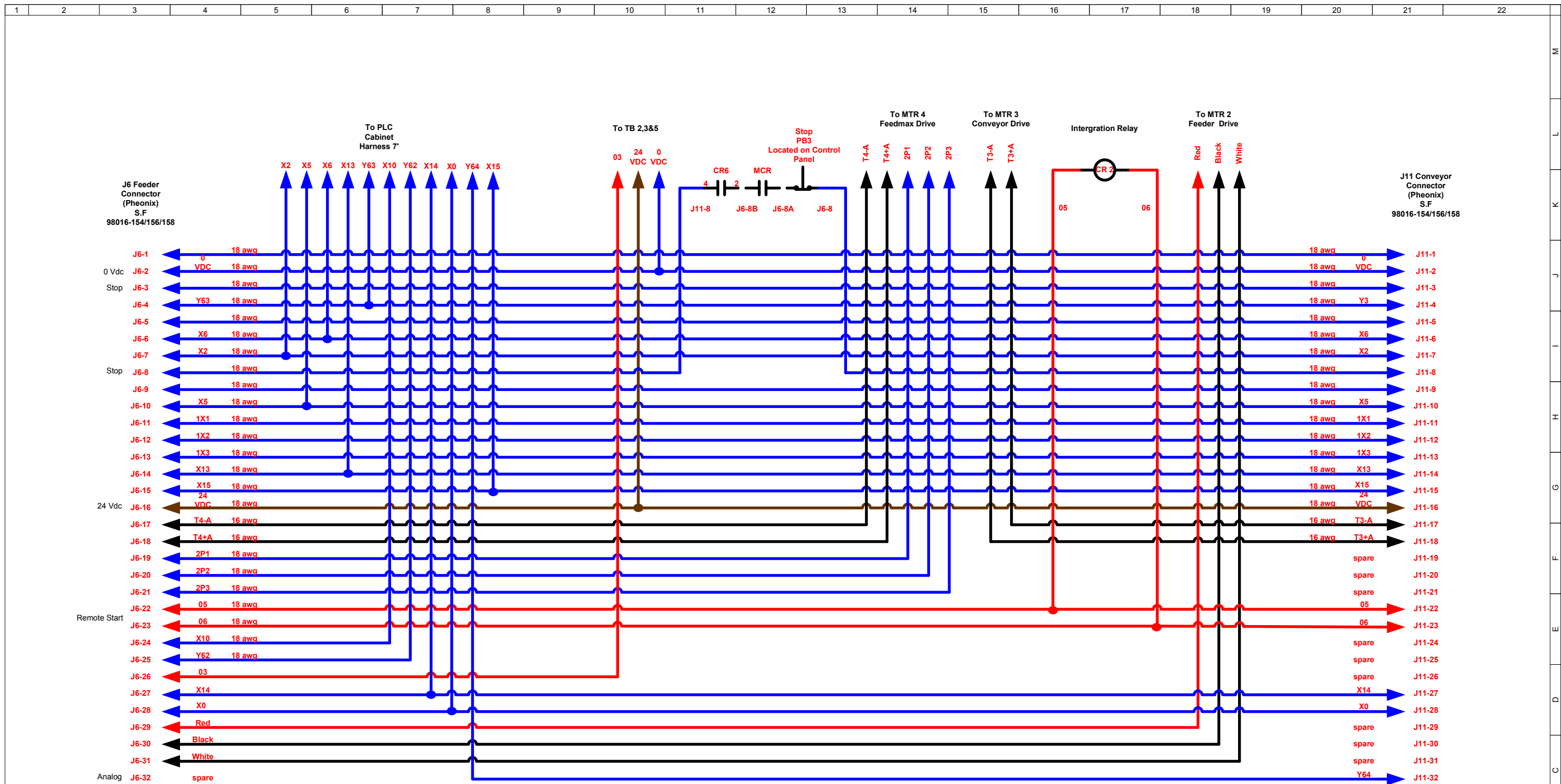
Attacher

Hooks to end
Conveyor



**CONFIDENTIAL
AND
PROPRIETARY**

DATE 1/27/2006	 SURE-FEED ENGINEERING	
CHECKED 5/27/2010	TITLE PlowFold	
DRAWN BY DCARACCILO	DRAWING NUMBER #####	
APR BY	SCALE 1:1	REV -
DATE	Drawing3.vsd	PAGE 2 OF 3



CONFIDENTIAL
AND
PROPRIETARY

DATE 1/27/2006		
CHECKED 5/27/2010	TITLE PlowFold	
DRAWN BY DCARACCILO	Drawing Number #####	
APR BY	SCALE 1: 1	REV -
DATE	Drawing3.vsd	PAGE 3 OF 3